

mellerware®

E X E C U T I V E

SIGMA 4 SLICE BRUSHED STAINLESS STEEL TOASTER



Complies with
INTERNATIONAL
IEC60335
SAFETY SPECIFICATIONS

m
1750 W

2 YEAR
GUARANTEE

Model:
24404

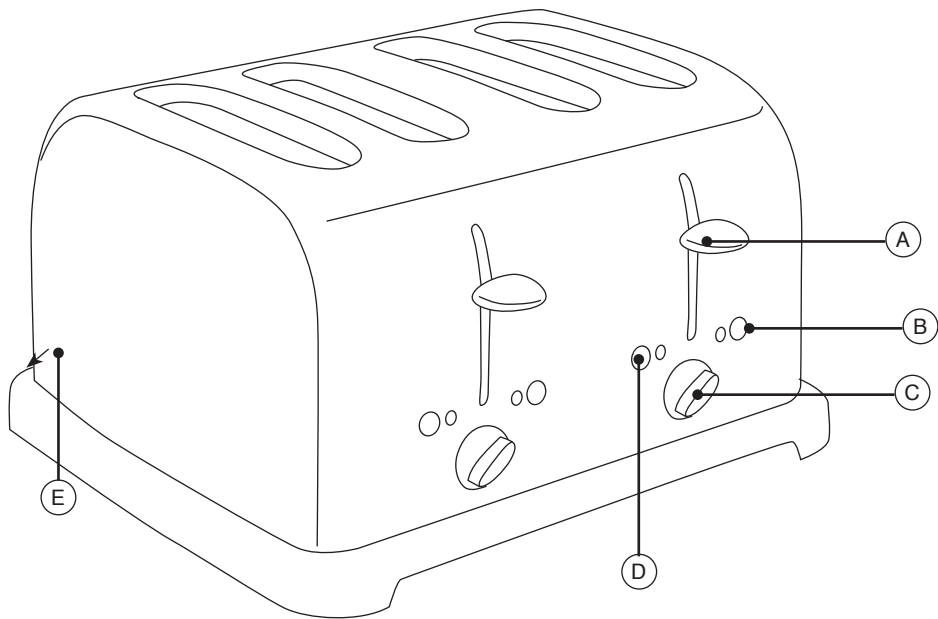
PLEASE READ ALL INSTRUCTIONS BEFORE USE

2 year guarantee



Dear customer,

Many thanks for purchasing a MELLERWARE product. Thanks to its technology, design and operation and the fact that it goes through strict quality controls - we feel sure you will be entirely satisfied.



- A. Loading lever
- B. Defrost button
- C. Browning control
- D. Cancel button
- E. Removable crumb tray





IMPORTANT

CAUTION HOT SURFACES: This appliance generates heat and escaping steam during use. Proper precautions must be taken to prevent the risk of burns, fires, or other injury to persons or damage to property.

1. Please read all instructions carefully before operating this appliance.
2. If this appliance falls or accidentally becomes immersed in water, unplug it from the wall outlet immediately. Do not reach into the water!
3. When using this appliance, provide adequate air space above and on all sides for air circulation. Do not operate this appliance while it is touching or near curtains, wall coverings, clothing, dishtowels or other flammable materials.
4. To reduce the risk of fire, do not leave this appliance unattended during use.
5. If this appliance begins to malfunction during use, immediately press the CANCEL button(s) and unplug the appliance. Do not use or attempt to repair a malfunctioning appliance!
6. This appliance should only be plugged into a wall socket which has an AC supply of 220 - 240V.
7. Use the toaster on a hard, flat surface. Do not place the appliance near a flame, heat source or a soft surface eg: carpet. Do not place the toaster near the edge of a table top or counter as toaster may fall down from the surface. Do not drop the toaster as this will cause the appliance to malfunction.

WARNING: ELECTRICAL SHOCK HAZARD. Never attempt to dislodge food inside the toaster while the toaster is plugged in and operating. Doing this can cause the operator to shock or even burn.

CAUTION: This appliance is hot during operation and retains heat for some time after turning off. Always use oven mitts when handling hot material and allow metal parts to cool before cleaning. Do not place anything on top of the Toaster while it is operating or while it is hot.

8. Do not operate appliance with wet hands.
9. Do not insert or remove plug from wall socket with wet hands.

CAUTION:

DO NOT toast pastries with runny fillings or frosting.
DO NOT toast torn slices of bread.
DO NOT place buttered bread or wrapped food into the Toaster.
DO NOT toast small-size bread, mini-baguettes, breadsticks, etc.

BEFORE USING FOR THE FIRST TIME

1. Remove all packaging materials including those that may be inside the toasting slots or toasting lever slots.
2. Wipe the exterior with a damp cloth. Dry thoroughly. Do not use abrasive cleaners.
3. Do not immerse the toaster, cord or plug in water.

4. Ensure that the crumb tray is pushed all the way into the back of the toaster and the toasting lever is in the up position.

5. Unwrap power cord from cord storage area on underside of Toaster and plug into a 220-240V AC outlet.

6. Turn the browning selector knob to (1), the lightest setting.

7. Lower both of the toasting levers until they lock in place. Operate without bread once or twice to burn off any manufacturing residue. You may notice a small amount of smoke, this is normal and will stop as the heating elements continue to heat.

AUTOMATIC CENTERING GUIDES

1. Lowering either 1 or both of the toasting levers closes the centering guides, and holds the bread or toaster food centrally in the toasting slots.

Note: The toasting lever(s) will not lock down unless the toaster is plugged into a 220-240V AC electrical outlet.

TOASTING INSTRUCTIONS

1. Make sure no bread or other objects are inside the toasting slots. Place toaster on a flat, level and heat resistant surface.

2. Insert the plug of the toaster into a 220 - 240V AC wall socket.

3. Position the browning selector knob to the desired setting(s). To test toasting times for browning, it is best to use both toasting slots. Position the browning selector knob between (3) and (4) medium, then adjust each subsequent toasting to your preference.

4. Remove all protective wrappings from food before placing into the toasting slot(s).

5. Insert bread or toaster food into the toasting slot(s). Lower the toasting lever until locked into place. The automatic centering guides hold food upright for uniform side-to-side toasting. When the bread is lowered into position, toasting will begin.

NOTE: When toasting a single slice, the bread may be placed in any toasting slot.

NOTE: To prevent a fire hazard, never place bread over the opening of the toaster, always place bread into the slots.

NOTE: DO NOT change the browning selector knob selection during the toasting cycle. First press the CANCEL button, then turn the browning selector knob to adjust the browning level. Lower the toasting lever and toast until the desired toast color is achieved.

6. When the toast reaches the selected browning level, it will pop up automatically.

7. Remove bread from toasting slot(s). Use care when removing bread as the bread and the top of the toaster will still be hot.





8. To interrupt toasting, press the corresponding CANCEL button.
9. Remove plug from wall outlet when not in use.

IMPORTANT: Never use a fork or sharp-edged utensil to remove toast, because that may damage the heating element or cause injury.







creative housewares

27 Nourse Avenue Epping 2 Cape Town
P.O. Box 975 Eppindust 7475 South Africa
Tel: +27 21 534 8114 Fax: +27 21 534 8086
Service Centre Share Call: 086 111 5006
web: www.creativehousewares.co.za

